

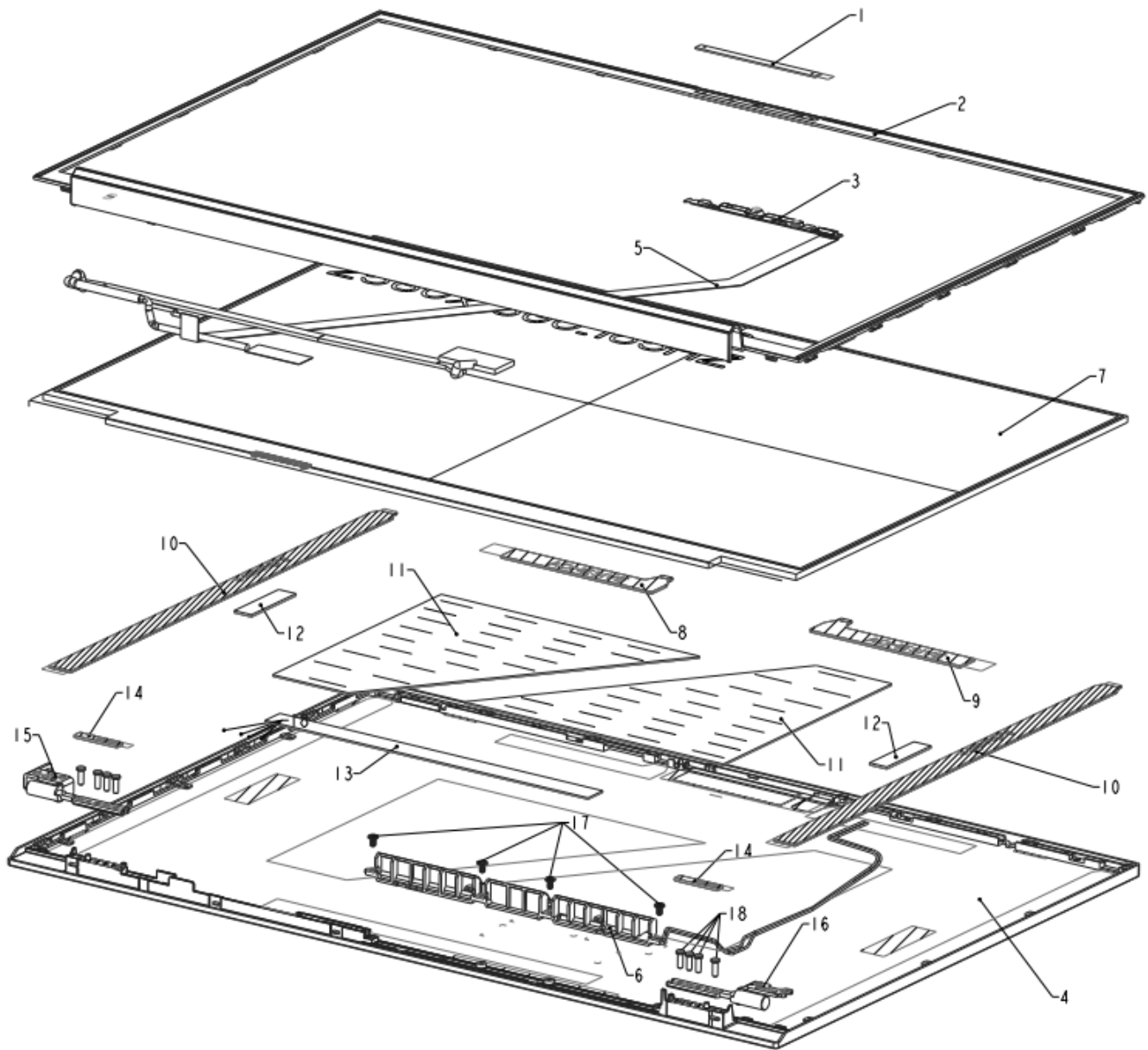
Notebook PC Service Manual

Model : PH6PG72

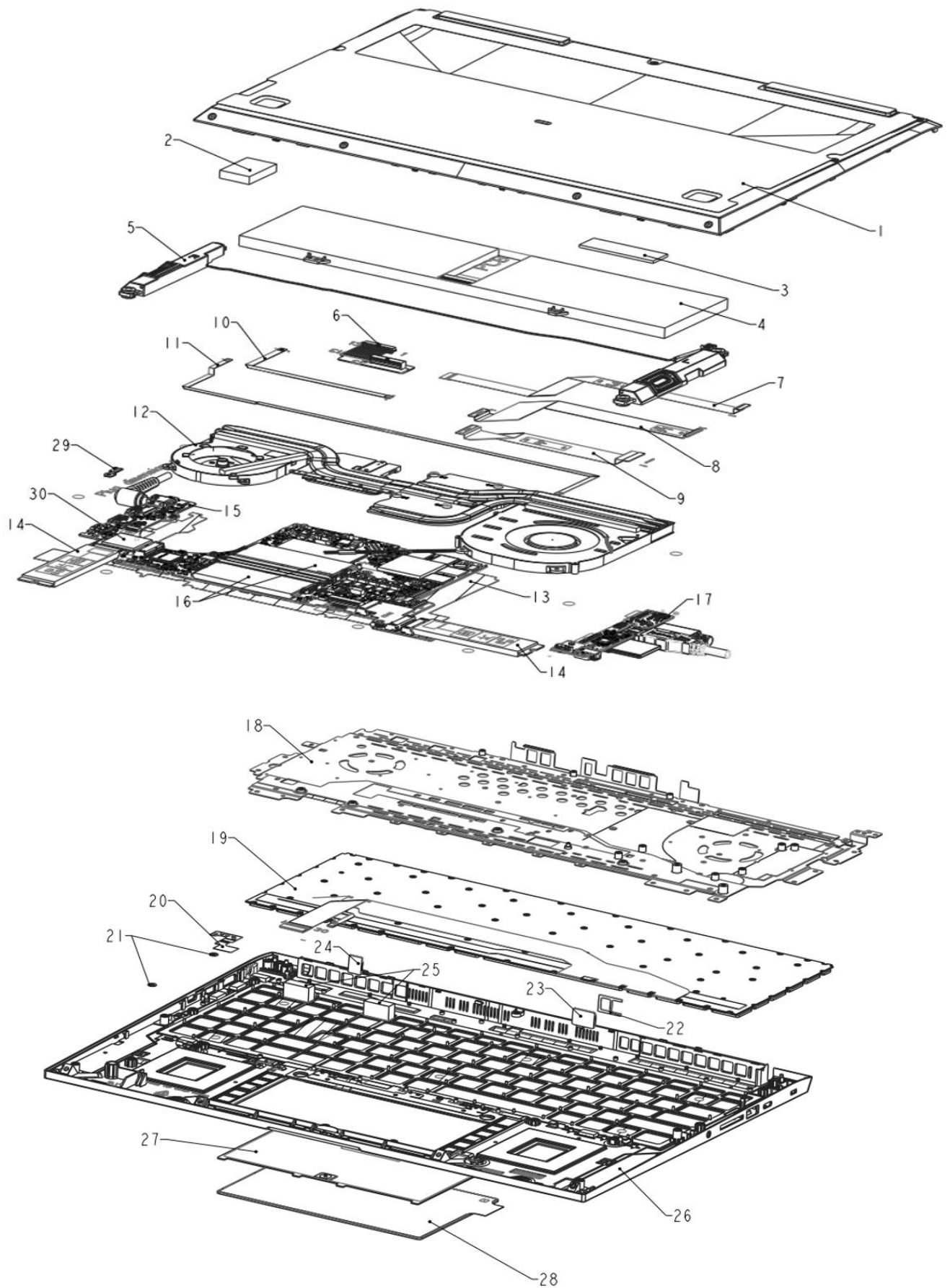
Chapter 3 Explosion Chart

3.1. General Module..... 3~7

3.1. General Module



ITEM	Product name	PN	Description	Qty	Mark
1	CCD Lens	GSRRP62204-3601	MYLAR,PH6ARX2,CCD,HD,JG	1	HD
		GSRRP62205-3601	MYLAR,PH6ARX2,CCD,IR,JG	1	IR
2	B Cover	PMARP62B50-9011	PMA,PH6ARX2,B COV,S65,RB07,N,CPM	1	Silver
		PMARP62B10-9011	PMA,PH6ARX2,B COV,B68,RB07,N,CPM	1	Black
3	CCD	WEBRNB6510-0001	WEBCAM,HD,1DMIC,KBNB651,Kingcome	1	HD
		WEBR572100-0001	IRCAM,HD,2DMIC,CKFKH5721005810LH,Chicony	1	IR
4	A COVER	PMARP62A10-9111	PMA,PH6ARX2,A COVER,AL,B08S,N,DZ	1	Black
		PMARP62A40-911	PMA,PH6ARX2,A COVER,AL,S12S,N,DZ	1	Silver
5	LCD CABLE	CABRP61011-5301	LCD CABLE,PH6TQ71,350MM,XTL	1	90HZ
		CABRP62011-1801	LCD CABLE,PH6ARX2,30P,HL	1	60HZ
		CABRP61011-5301	LCD CABLE,PH6TQ71,350MM,XTL	1	165HZ
6	ANTENNA	ASYPH6ARX2-0068	ASY,WLAN ANTENNA*2,AUDEN,PH6ARX2	1	
7	LCD PANEL	LCDR302012-091A	16",1920x1200,2.6,AG,A,NV160WUM-N46,BOE	1	60HZ
		LCDR302017-093A	16,2560x1600,2.6,AG,A,NE160QDM-N64,BOE	1	90HZ
		LCDR102012-091A	16,1920x1200,3,AG,A,NV160WUM-NX2,BOE	1	165HZ
8	ADHESIVE	GSRRP62604-8901	ADHESIVE,PH6ARX2,LALA S_L W/LCD,3.0,YJL	1	3.0 PANEL
		GSRRP62604-3601	ADHESIVE,PH6ARX2,LALA S_L W/LCD,3.0,JG		
		GSRRP62602-8902	ADHESIVE,PH6ARX2,LALA S_L,2.6,R2,YJL	1	2.6 PANEL
		GSRRP62602-3602	ADHESIVE,PH6ARX2,LALA S_L,2.6,R2,JG		
9	ADHESIVE	GSRRP62610-8901	ADHESIVE,PH6ARX2,LALA S_R W/LCD,3.0,YJL	1	3.0 PANEL
		GSRRP62610-3601	ADHESIVE,PH6ARX2,LALA S_R W/LCD,3.0,JG		
		GSRRP62609-8902	ADHESIVE,PH6ARX2,LALA S_R,2.6,R2,YJL	1	2.6 PANEL
		GSRRP62609-3602	ADHESIVE,PH6ARX2,LALA S_R,2.6,R2,JG		
10	ADHESIVE	GSRRP62604-8901	ADHESIVE,PH6ARX2,LALA L WITH LCD,3.0,YJL	2	3.0 PANEL
		GSRRP62603-8901	ADHESIVE,PH6ARX2,LALA L WITH LCD,3.0,JG		
		GSRRP62601-8902	ADHESIVE,PH6ARX2,LALA L,2.6,R2,YJL	2	2.6 PANEL
		GSRRP62601-3602	ADHESIVE,PH6ARX2,LALA L,2.6,R2,JG		
11	SPONE	GSRRP62402-8901	SPONGE,PH6ARX2,A,3.0,YJL	2	3.0 PANEL
		GSRRP62402-3601	SPONGE,PH6ARX2,A,3.0,JG		
		GSRRP62401-8901	SPONGE,PH6ARX2,A,2.6,YJL	2	2.6 PANEL
		GSRRP62401-3601	SPONGE,PH6ARX2,A,2.6,DOWN,YJL		
12	GASKET	GSRRG5T103-1901	GASKET-Sponge,GK5CQ7T,30L*5W*0.5H,MF	2	3.0 PANEL
		GSRRG5Z106-1901	GASKET SPONGE,GK5CN6Z,15L*8W*1.5H,MF	2	2.6 PANEL
13	SPONGE	GSRRP62406-8901	SPONGE,PH6ARX2,A,2.6,DOWN,YJL	1	2.6 PANEL
		GSRRP62406-3601	SPONGE,PH6ARX2,A,2.6,DOWN,JG		
14	ADHESIVE	GSRRP62611-3601	ADHESIVE,PH6ARX2,HINGE,BLACK,JG	2	
		GSRRP62611-8901	ADHESIVE,PH6ARX2,HINGE,BLACK,YJL		
15	HINGE	METRP62RH1-4101	MET,PH6ARX2,HINGE_L,A COV,GY	1	
16	HINGE	METRP62RH2-4101	MET,PH6ARX2,HINGE_R,A COV,GY	1	
17	Screw	SCR222131-5241	SCR,MAC,M2*3.5,T0.6D3.5,WH/NI/Y,FLAT,GL	4	
18	Screw	SCR221111-6268	SCR,MAC,M2*6T0.8D3.5,BK,ZN,Y/RED,FLAT,GL	8	
		SCR221111-6168	SCR,MAC,M2*6T0.8D3.5,BK,ZN,Y/RED,FLA,Fky		



ITEM	Product name	PN	Description	Qty	Mark
1	D COVER	PMARP62D10-9112	PMA,PH6ARX2,D COV,B08S,N,R2,DZ	1	Black
		PMARP62D40-9112	MA,PH6ARX2,D COV,S12S,N,R2,DZ	1	Silver
2	PAD	THER430204-0911	PAD,TIF1180-12U-NS1,30*20*4.5mm,Ziitek	1	
3	PAD	THER450161-0911	Pad,TIF170FG-01U 50*16*1.75mm,Ziitek	1	
4	BATTERY	BATRGK7CP3-4101	BAT,4S1P,15.2,4.1,LP,VK,BK,GK7CP,GTC	1	60W
		BATRPID13-4102	AT,4S1P,15.48,5.168,LP,HP,B,PHID1,GTC	1	80W
5	SPK	MSKRP62201-0201	SPK,PH6ARX2,2W/2412,BASE,L+R,4OHM,FG	1	
6	BAT CABLE	CABRP61261-1803	BATTERY CABLE UMA,PH6TQ71,R03,HL	1	80W
		CABRP61261-0103	BATTERY CABLE UMA,PH6TQ71,R03,YY	1	80W
		CABRP61261-2103	BATTERY CABLE UMA,PH6TQ71,R03,JS	1	80W
		CABRP61261-5303	BATTERY CABLE UMA,PH6TQ71,R03,XTL	1	80W
7	22 PIN FFC	FFCR220105-2701	FFC,PH6ARX2,AUDIO TO UMA,+ -,22P,P0.5,QX	1	
8	32 PIN FFC	FFCR320105-2701	FFC,PH6ARX2,AUDIO TO UMA,+ -,32P,P0.5,QX	1	
		FFCR320105-1001	FFC,PH6ARX2,AUDIO TO UMA,+ -,32P,P0.5,JS	1	
9	36 PIN FFC	FFCR360111-2701	FFC,PH6PG02,AUDIO TO RPL,+,36P,P0.5,QX	1	
		FFCR360111-1001	FFC,PH6PG02,AUDIO TO RPL,+,36P,P0.5,JS	1	
10	TP FFC	FFCR080122-2701	FFC,PH6ARX2,TP TO MB,8P,P0.5,QX	1	
		FFCR080122-1001	FFC,PH6ARX2,TP TO MB,8P,P0.5,Js	1	
11	HALL FFC	FFCR060130-2701	FFC,PH6ARX2,HALL SENSOR,+ -,6P,P0.5,QX	1	
		FFCR060130-1001	FFC,PH6ARX2,HALL SENSOR,+ -,6P,P0.5,JS	1	
12	Thermal	ASYPH6PRX2-0018	ASY,thermal,M860,STD,PH6PRX2	1	W/O GPU
		ASYPH6PRX2-0019	ASY,Thermal,LM,STD,PH6PRX2	1	W/O GPU
		ASYPH6PG02-0018	ASY,thermal,M860,STD,PH6PG02	1	WITH GPU
		ASYPH6PG02-0019	ASY,Thermal,LM2,STD,PH6PG02	1	WITH GPU
13	MB MYLAR	GSRRP62212-3601	MYLAR,PH6PG02,RPL MB,JG	1	
		GSRRP62212-8901	MYLAR,PH6PG02,RPL MB,YJ	1	
14	SSD	SSDR512000-0209	SD,G4x4,512G,MZVL4512HBLU-00BTW,PM9B1,SS	1	
		SSDR512002-0223	SSD,G4x4,512G,MZVL2512HCJQ-00B00,7601,SS	1	
		SSDR512002-0224	SSD,G4x4,512GB,PM8512GPKTCB59TF-E192.PH	1	
		SSDR1TB000-0208	SSD,G4x4,1TB,MZVL41T0HBLB-00BTW,PM9B1,SS	1	
		SSDR1TB002-0221	SSD,G4x4,1TB,PM8001TPKTCB59TF-E194,PH	1	
15	MB	MBAPH4PRX111T02	MBA,PH4PRX1,V1.1,I7-13700H,UMA-45W,STD	1	W/O GPU
		MBAPH4PRX111T04	MBA,PH4PRX1,V1.1,I5-13500H,UMA-45W,STD	1	W/O GPU
		MBAPH6PG0211T03	MBA,PH6PG02,V1.1,I9-13900H,X4,STD,8GSS	1	WITH GPU

16	RAM	RAMR03V806-0004	D5,4800,8GB,1Gx16,M425R1GB4BB0-CQK,SS	1	
		RAMR03V806-0003	D5,4800,8GB,1G*16,MTC4C10163S1SC48BA1,MI	1	
		RAMR03V166-0004	D5,4800,16GB,16Gx8,M425R2GA3BB0-CQK,SS	1	
		RAMR03V166-0003	D5,4800,16GB,2G*8,MTC8C1084S1SC48BA1,MI	1	
17	Audio DB	DBAPH6PG0210T03	DBA,PH6PG02,V1.0,256,AUDIO DB,8L,0	1	
18	TOP HOUSING	MMARP62CT3-4401	MMA,PH6PG02, TOP HSG,SGCC,RPL,N,GLOBAL	1	90 FAN
		MMARP62CT1-4401	MMA,PH6ARX2, TOP HOUSING,AL,UMA,GLOBAL	1	75 FAN
19	KB	KBDR02A008-4013	KBD,325.1,BK/US,A,TFM20P83USJ852,R03,QG	1	US
		KBDR02A008-4063	KBD,325.1,BK/UK,A,TFM20P86GBJ852,R03,QG	1	UK
		KBDR02D008-4131	325.1mm,BK/JP,D,TFM21K60J0J8521,W11,QG	1	JP
20	AL-FOIL	GSRRP62501-1901	Al-foil,PH6TRX2,33.03L*17W*0.1H,MF	1	
21	WASHER	GSRRP62502-3601	AL-FOIL,PH6ARX2,WASHER,4.7*T0.2MM,JG	2	
22	MYLAR	GSRRP62213-3601	MYLAR,PH6PG02,SAFETY,C COV,RPL-10L,JG	1	90 FAN
23	RUBBER	GSRRP62318-4701	RUBBER,PH6PG02,THERAL HOLE,C COV,UMA,LP	1	75 FAN
24	RUBBER	GSRRP62301-4701	RUBBER,PH6ARX2,C,UMA,LP	1	
25	RUBBER	GSRRP62312-4701	RUBBER,PH6ARX2,TP_TO_BTM,LP	2	
26	C COVER	PMARP62C10-9112	PMA,PH6ARX2,C COV,US,B08S,N,R2,DZ	1	US BLACK
		PMARP62C10-9122	PMA,PH6ARX2,C COV,UK,B08S,N,R2,DZ	1	UK BLACK
		PMARP62C10-9132	PMA,PH6ARX2,C COV,JP,B08S,N,R2,DZ	1	JO BLACK
		PMARP62C40-9112	PMA,PH6ARX2,C COV,US,S12S,N,R2,DZ	1	US SILVER
		PMARP62C40-9122	PMA,PH6ARX2,C COV,UK,S12S,N,R2,DZ	1	UK SILVER
		PMARP62C40-9132	PMA,PH6ARX2,C COV,JP,S12S,N,R2,DZ	1	JP SILVER
27	TP DB	DBATDC338410T02	DBA,TDC3384,V1.0,LID,TP DB,0	1	
28	TP GLASS	GSRRP62801-9801	GLASS,PH6ARX2,TP,B68,WC	1	BLACK
		GSRRP62802-9801	GLASS,PH6ARX2,TP,S65,WC	1	SILVER
29	WIFI BKT	METRG5DIB3-7701	MET,GH5AD2D,MB_WIFI_BKT,XB	1	
30	WIFI	RFFR06X201-0004	WLAN+BT,2x2,2P,2230E,AX201.NGWGNVW,INTEL	1	
		RFFR06X201-0001	WLAN+BT,2x2,2P,2230E,AX201.NGWG.NV,INTEL	1	